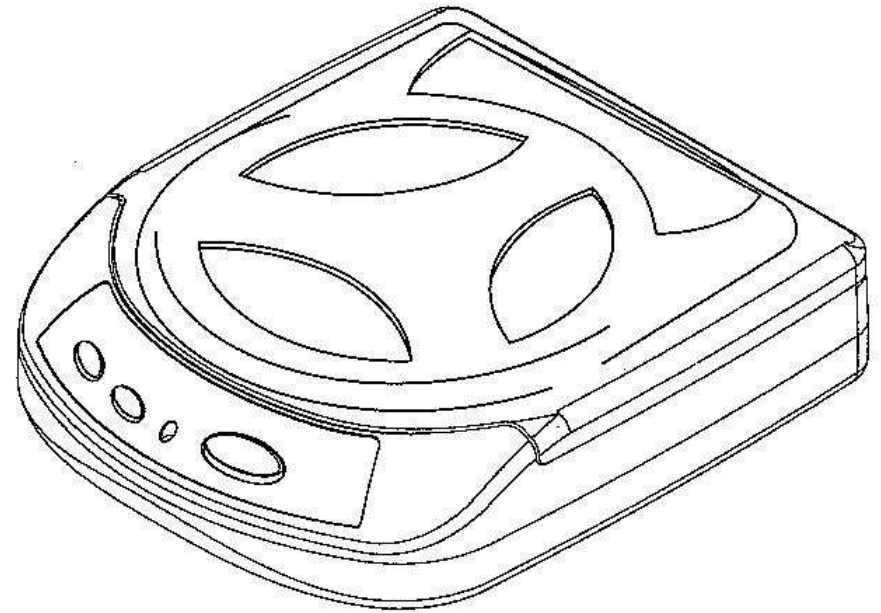


# Disc Repair Pro

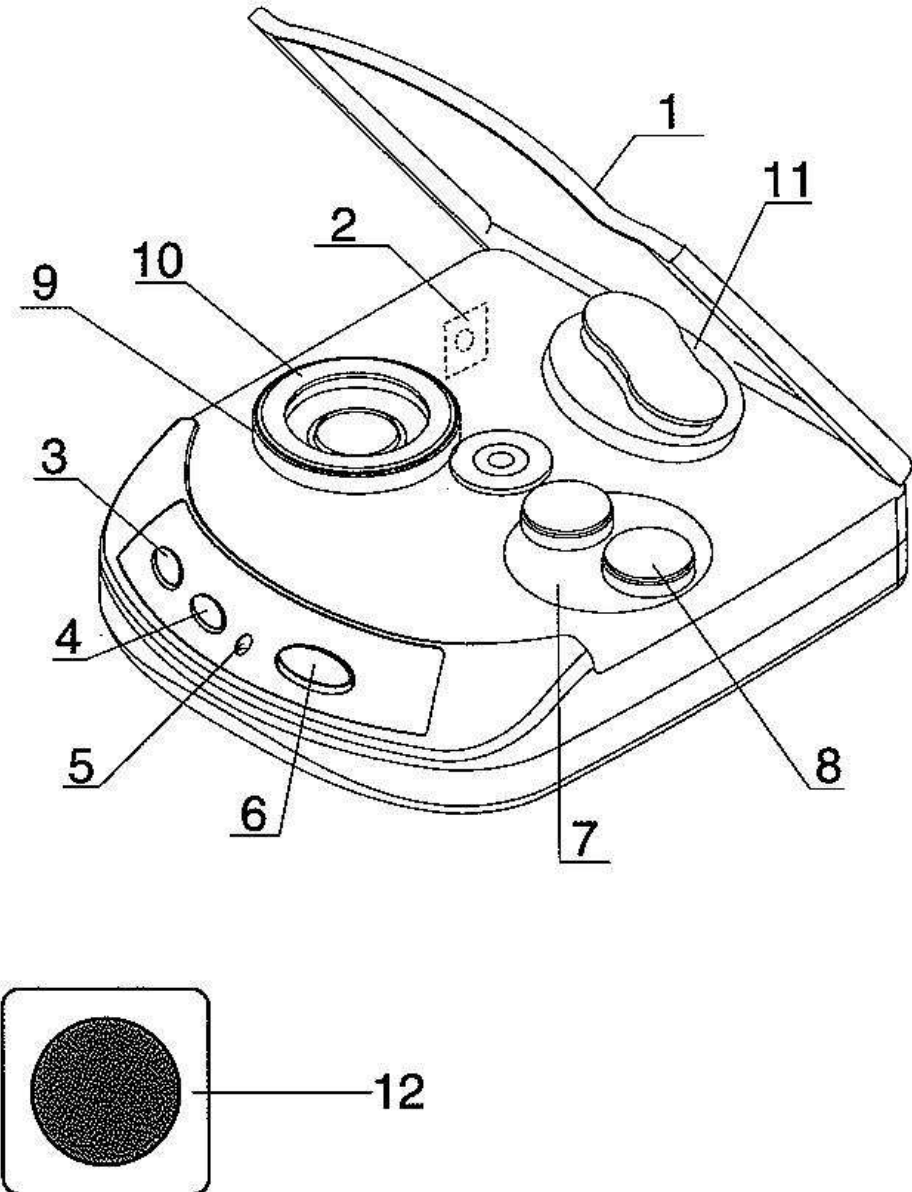
MOTORIZED DISC REPAIR AND CLEANING KIT

## USER MANUAL



## D. FUNCTION DESCRIPTION

- Repairs all CDs including: GAME DISCS、DVD、DVD-R、VCD and CD-RW
- Create a protective layer on the surface of the disc to prevent dirt accumulation and scratches.
- Repair scratches on the discs to restore the quality of the discs
- can repair and clean discs with a diameter of 12 cm and 8 cm
- Complete removal of oil, dirt, spots and finger prints
- auto cleaning, easy to operate



## A. PARTS

1. TOP COVER
2. DC 9V JACK
3. CLEAN BUTTON
4. REPAIR BUTTON
5. LED INDICATOR
6. OPEN BUTTON
7. WET CLEANING WHEEL (REPLACEABLE TO REPAIR WHEEL)
8. WET CLEANING HEAD
9. DRY CLEANING WHEEL (REPLACEABLE TO REPAIR WHEEL)
10. DRY CLEANING HEAD
11. MOISTURE COVER
12. SUPER BUFFERING

## E. SPECIFICATION

- ADAPTOR 9v 500 mA
- Size (approx.): 159 X 136 X40 mm
- Weight (approx.): 300g

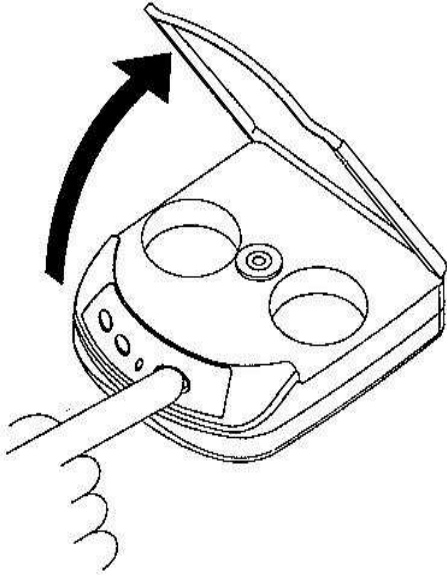
## F. INCLUDED ACCESSORIES:

1. AC Adaptor (9V 500mA) . . . . . 1
2. Cleaning Kit . . . . . 1
  - Included Accessories
  - A. Cleaning Solution . . . . . 1
  - B. Wet Wheel . . . . . 1
  - C. Dry Wheel . . . . . 1
  - D. Brush . . . . . 1
3. Repair Kit
  - Included Accessories
  - A. Repair Solution . . . . . 1
  - B. Repair Wheel . . . . . 2
  - C. Brush . . . . . 1
4. Pink Buffering Wheel . . . . . 2
5. Repair Wheel . . . . . 2
6. Super Pink Buffering Wheel

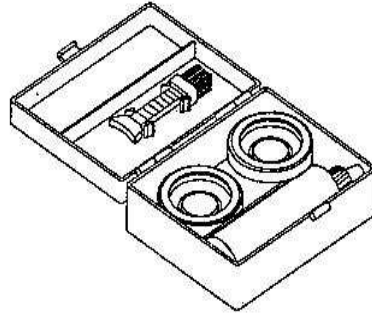
## B-1. REPAIR OPERATION

● Please use the included AC adaptor

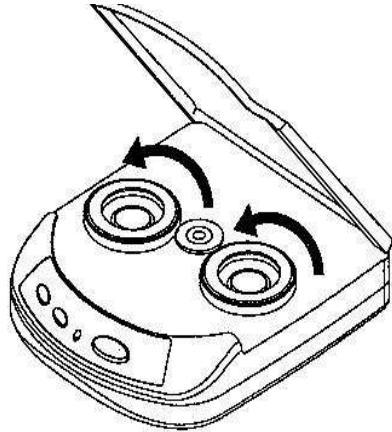
1. Press OPEN button



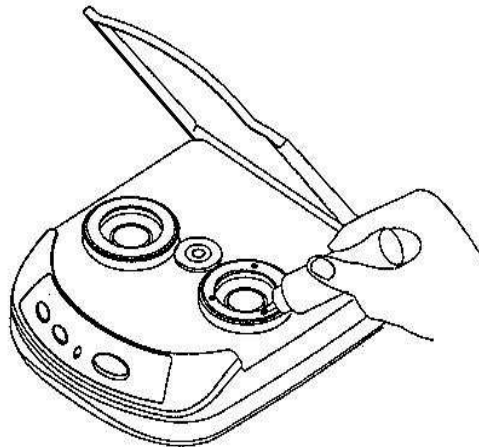
2. Take out 2 repair wheels from repair kit



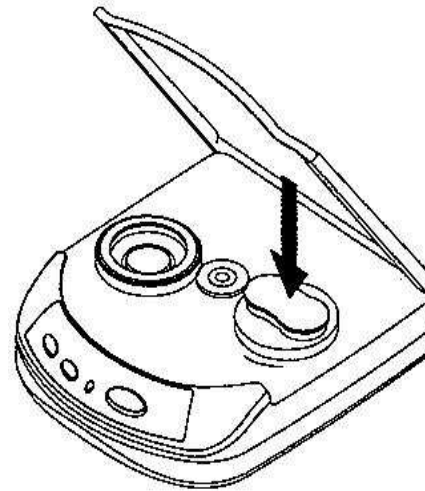
3. Turn repair wheels counter clockwise until tight



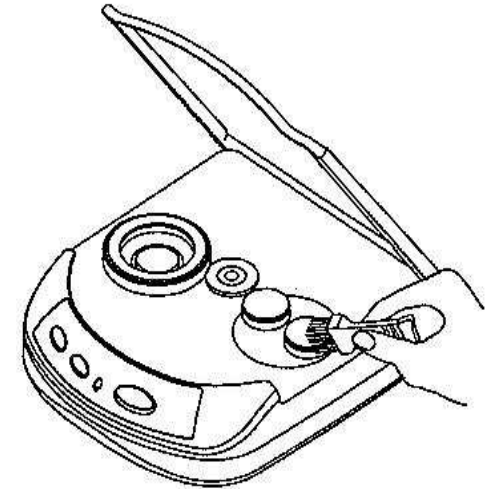
4. Place 3 drops of the repair protective solution on equivalent side of the repairing head marked "WET"



9. Please replace the moisture cover after cleaning operation



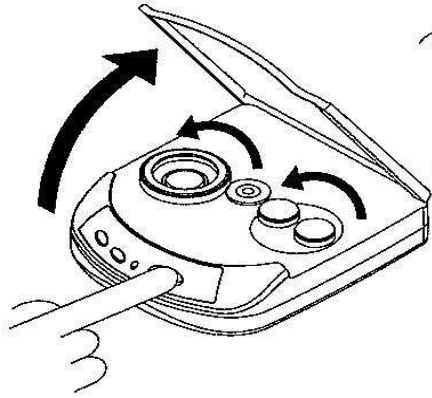
10. Use the included brush with cleaning solution to clean wet cleaning head and dry cleaning head if needed



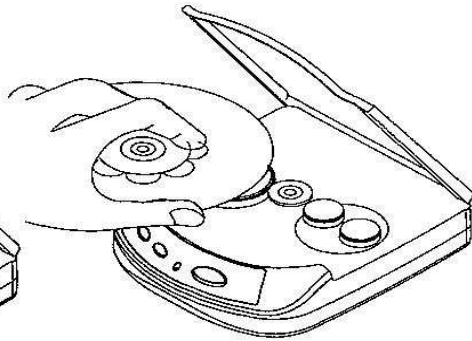
Note:

To ensure the highest quality cleaning, please replace the dry cleaning head and the wet wheel (including wet cleaning head) after 300 discs cleaning.

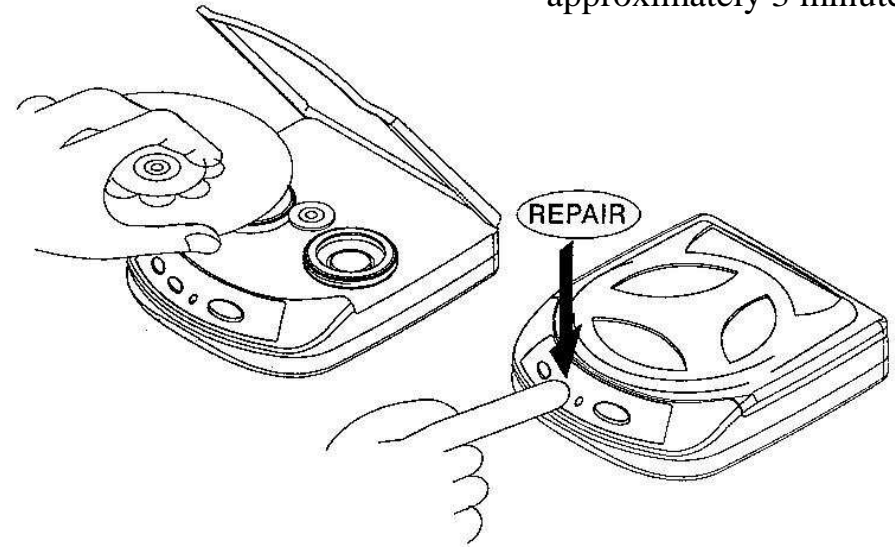
5. Place the cleaning heads marked "WET" and "DRY" in their respective places, as indicated on the machine.



6. Put the disc in the machine and then close the top cover (data side face down)

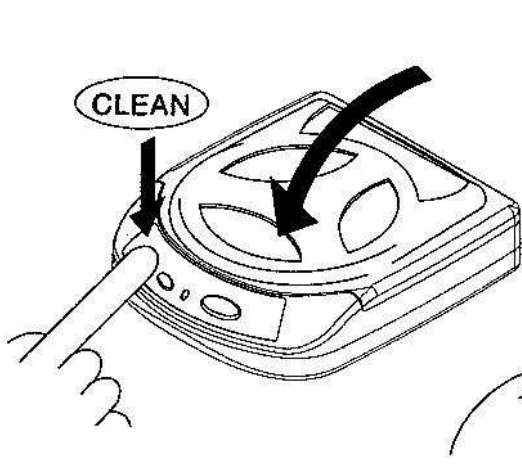


5. Insert the disc and then close the top cover (data side face down)

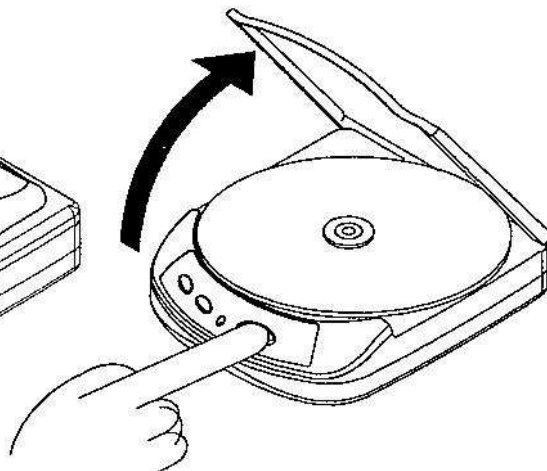


6. Press repair button to begin the repairing process, which lasts approximately 3 minutes

7. Press the CLEAN button to begin cleaning process, which lasts approximately 60 seconds



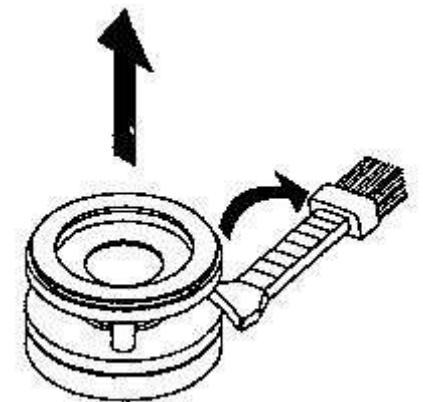
8. Press the OPEN button to take out the disc. Repeat step 6~7 if needed to wash next disc



7. After the repairing process above, if the video/audio does not improve, please do buffering process. See P.5.

Note:

To ensure the quality of the repair, after every 5~10 disc repair, please replace the repair head or clean the repair head with water by using included brush and then air dry before use.



⑦

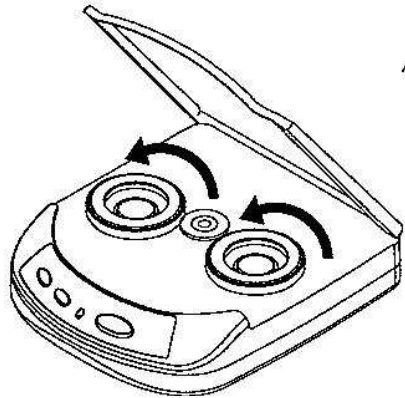
④



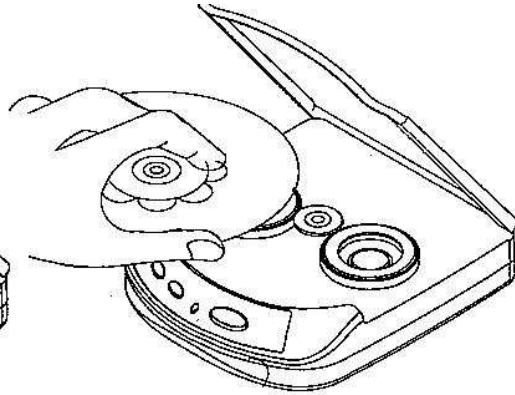
## B-2. BUFFERING OPERATION

● Please use the included AC adaptor

1. Replace 2 pink buffering wheels and turn counter clockwise until tight



2. Put the disc into the machine and then close the top cover (data side face down)



3. Press repair button to begin the buffering process, which lasts approximately 3 minutes and then press open to take out the disc



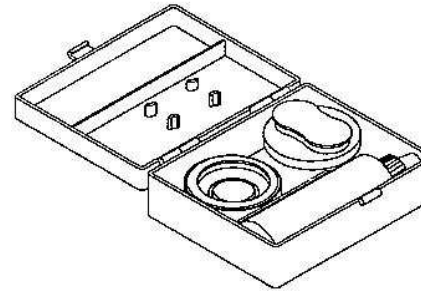
4. Replace 2 repair wheels again and then repeat repairing process step 4~6 to improve the quality of the disc

Note:  
To ensure the repair quality of highly damaged disc, please replace the buffering wheels after 10-20 discs.

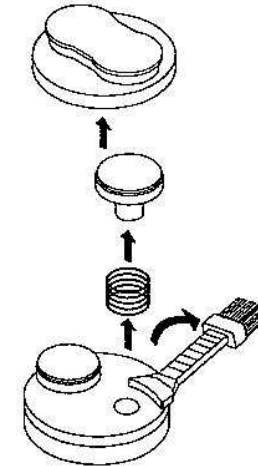
⑤

## C. CLEANING OPERATION

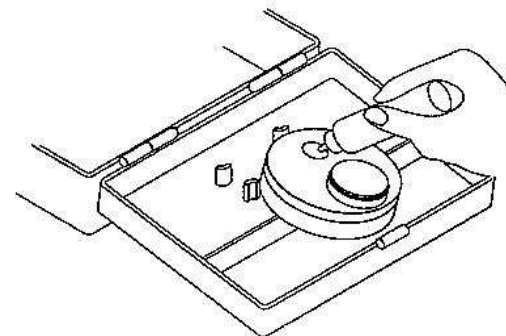
1. Open Cleaning kit to take out the cleaning wheel (including moisture cover)



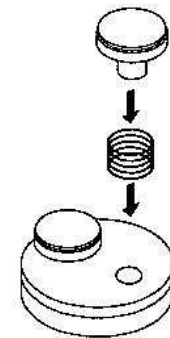
2. Remove the moisture cover 2-1. Use the plastic end of the brush to remove cleaning head and the spring



3. Fill the cleaning unit with solution until 80% full



4. Replace the spring and cleaning head.



⑥